

LT8311EX --- Product Brief

USB 2.0 Repeater

Features

- Extension length up to 120 meters
- Support USB 2.0 high-speed and USB 1.1 (low-speed and full-speed)
- Support hot plug
- Internal pull-up and pull-down resistor
- Pin control and I2C control mode for equalization
- Single 3.3V power supply
- 20-pin TSSOP RoHS package
- ESD:HBM to 2KV

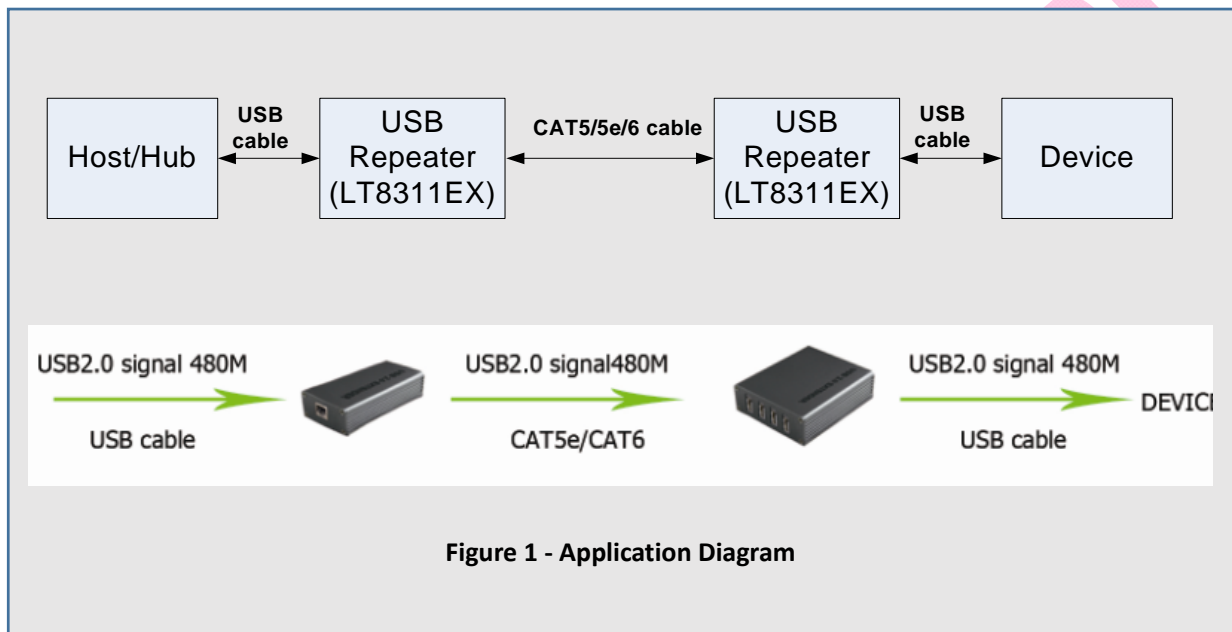
Description

LT8311EX is a low cost high performance USB repeater that supports signal transferring extension over cat5/5e/6 cable, compliant with USB2.0 specification. The extension length can be up to 120 meters over CAT6 cable. It eliminates the 5 meters distance limitation of USB2.0 specification. There are four lines used for signal transferring extension between two LT8311EX chips.

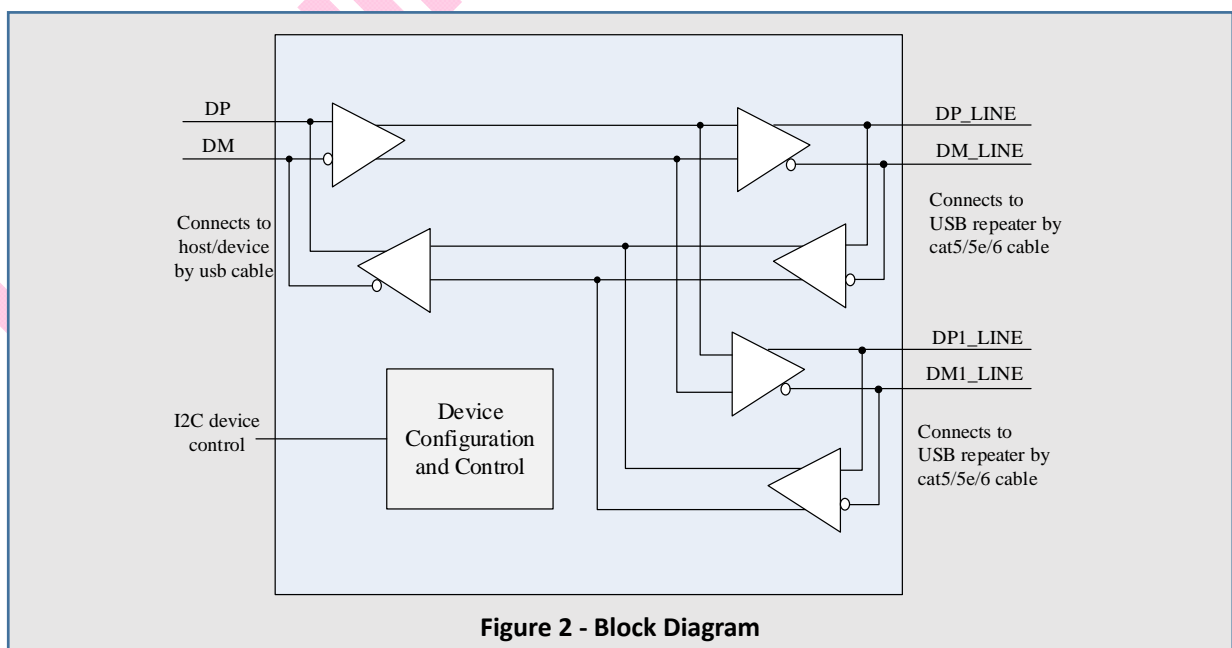
Internal equalization settings can be changed through I2C interface for different extension lengths.

Application

Desktop and laptop computers, docking stations
Servers and workstations
Data storage systems



Block Diagram



Ordering Information

Operating Temperature Range	Package	Packing Method
-40 to 85°C	TSSOP 20	Tape and Reel

Lontium Confidential

Lontium Semiconductor Proprietary & Confidential

This document and the information it contains belong to Lontium Semiconductor. Any review, use, dissemination, distribution or copying of this document or its information outside the scope of a signed agreement with Lontium is strictly prohibited.

LONTIUM DISCLAIMS ALL WARRANTIES, EXPRESSED OR IMPLIED, INCLUDING THOSE OF NONINFRINGEMENT, MERCHANTABILITY, TITLE AND FITNESS FOR A PARTICULAR PURPOSE. CUSTOMERS EXPRESSLY ASSUME THEIR OWN RISK IN RELYING ON THIS DOCUMENT. LONTIUM PRODUCTS ARE NOT DESIGNED OR INTENDED FOR USE IN LIFE SUPPORT APPLIANCES, DEVICES OR SYSTEMS WHERE A MALFUNCTION OF A LONTIUM DEVICE COULD RESULT IN A PERSONAL INJURY OR LOSS OF LIFE.

Lontium assumes no responsibility for any errors in this document, and makes no commitment to update the information contained herein. Lontium reserves the right to change or discontinue this document and the products it describes at any time, without notice. Other than as set forth in a separate, signed, written agreement, Lontium grants the user of this document no right, title or interest in the document, the information it contains or the intellectual property it embodies.

Trademarks

Lontium™ and ClearedEdge™ is a registered trademark of Lontium Semiconductor. All Other brand names, product names, trademarks, and registered trademarks contained herein are the property of their respective owners.

Visit our corporate web page at: www.lontiumsemi.com

Technical support: support@lontium.com

Sales: sales@lontium.com