

LT8611SX --- Product Brief

DisplayPort Repeater & HDMI/DVI Level Shifter

Features

- DisplayPort Repeating
- HDMI V1.4/DVI V1.0 Level Shifting
- Support HDMI 2.0 4:2:0 format
- DDC Level Shifting
- DDC Buffer Support
- HPD Level Shifting
- Power supply 3.3 V \pm 10 %
- ESD protection up to 3 kV
- Power-saving modes by source-side disablement (using output enable) as well as sink-side detection (using Hot Plug Detect)
- Transparent operation: no re-timing or software configuration required

Description

LT8611SX integrates 1-to-1 DP Repeater & HDMI/DVI Level Shifter to simplify system level design and reduce system level cost for applications requiring single DP or HDMI/DVI input and single output device in personal computing system and other emerging digital appliances

Lontium Confidential

Applications

- PC Motherboard / Graphics Card
- DP to HDMI/DVI Cable Adaptor
- Digital Set-Top-Box1-to-1
- DP Repeater

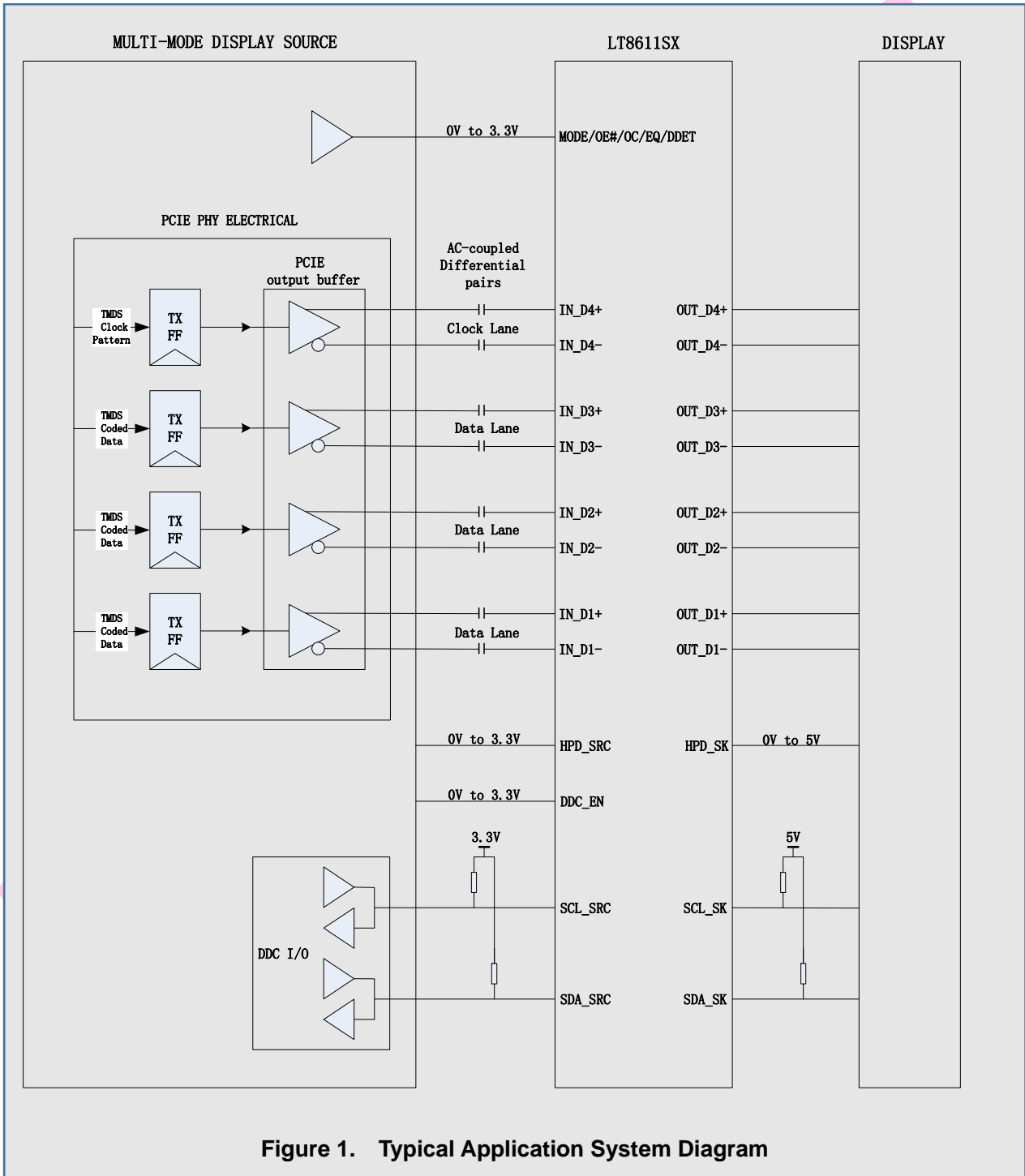


Figure 1. Typical Application System Diagram

Ordering Information

Part Number	Operating Temperature Range	Package	Packing Method
LT8611SX	-40° C to +85° C	QFN48 (7*7)/QFN40 (5*5)/QFN32 (3*6)	Tape and Reel

Lontium Confidential

Copyright © 2010、2017 Lontium Semiconductor Corporation, All rights reserved.

Lontium Semiconductor Proprietary & Confidential

This document and the information it contains belong to Lontium Semiconductor. Any review, use, dissemination, distribution or copying of this document or its information outside the scope of a signed agreement with Lontium is strictly prohibited.

LONTIUM DISCLAIMS ALL WARRANTIES, EXPRESSED OR IMPLIED, INCLUDING THOSE OF NONINFRINGEMENT, MERCHANTABILITY, TITLE AND FITNESS FOR A PARTICULAR PURPOSE. CUSTOMERS EXPRESSLY ASSUME THEIR OWN RISK IN RELYING ON THIS DOCUMENT.

LONTIUM PRODUCTS ARE NOT DESIGNED OR INTENDED FOR USE IN LIFE SUPPORT APPLIANCES, DEVICES OR SYSTEMS WHERE A MALFUNCTION OF A LONTIUM DEVICE COULD RESULT IN A PERSONAL INJURY OR LOSS OF LIFE.

Lontium assumes no responsibility for any errors in this document, and makes no commitment to update the information contained herein. Lontium reserves the right to change or discontinue this document and the products it describes at any time, without notice. Other than as set forth in a separate, signed, written agreement, Lontium grants the user of this document no right, title or interest in the document, the information it contains or the intellectual property in embodies.

Trademarks

Lontium™ and ClearEdge™ is a registered trademark of Lontium Semiconductor. All Other brand names, product names, trademarks, and registered trademarks contained herein are the property of their respective owners.

Visit our corporate web page at: www.lontiumsemi.com

Technical support: support@lontium.com

Sales: sales@lontium.com