

LT8711 --- Product Brief

Dual-mode Displayport-VGA Converter

Features

- On-chip signal level-shifter, convert AC coupled signals to HDMI DC level
- On-chip HDMI receiver with Equalizer
- On chip receiver core which is compliant with HDMI1.4specification
- On chip HDCP engine which supports repeater and is compliant with HDCP1.4 spec
- Supports analog video output up to UXGA and 1080p with three on chip DAC
- On-chip audio decoder which support 2-channel IIS and SPDIF audio outputs
- Support audio soft mute
- On chip YCC422 to YCC444 conversion
- On chip YCC to RGB and RGB to YCC conversion in ITU-R BT.601 and 709 color space
- Support separate sync output and SOG/SOY
- Flexible interrupt registers with interrupt pin
- Link on and Valid DE detection

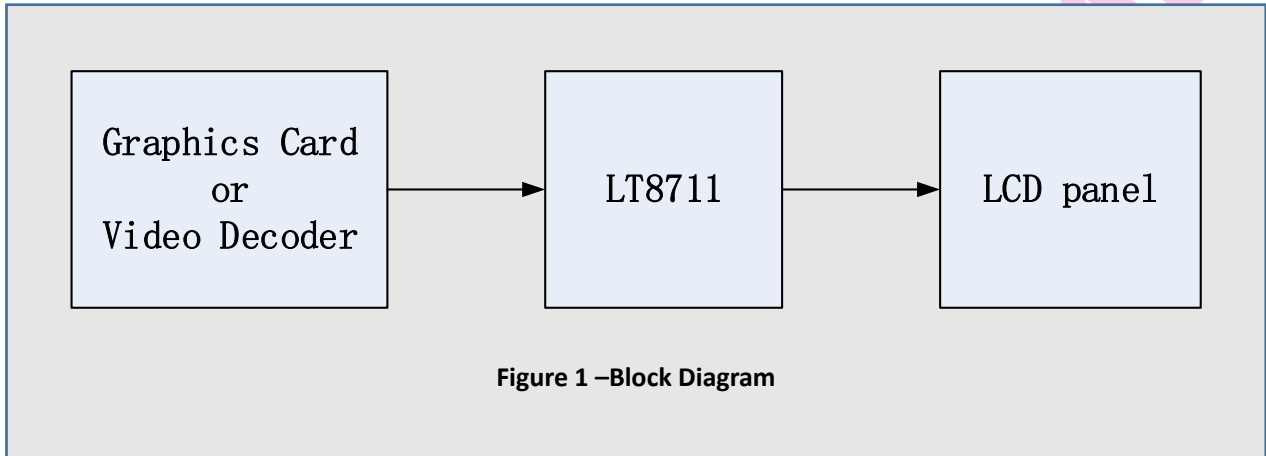
Description

LT8711 is a low cost high performance level-shifter along with a single port HDMI receiver which is compliant with HDMI 1.4. The level-shifter convert Dual-Mode DP mode signal to HDMI signal and the RX can receive 1080p input. Besides it supports Analogue Video-output up to UXGA and 1080p with three high resolution DACs. The chip integrates Equalizer, HDMI core and HDCP engine on a single chip.

Application

Tablet/Pad Ultra book
PC/Graphic Card Etc.

Block Diagram



Ordering Information

Part Number	Operating Temperature Range	Package	Packing Method
LT8711	0° C to +85° C	9mm x 9mm QFN64L	Tape and Reel

Lontium Semiconductor Proprietary & Confidential

This document and the information it contains belong to Lontium Semiconductor. Any review, use, dissemination, distribution or copying of this document or its information outside the scope of a signed agreement with Lontium is strictly prohibited.

LONTIUM DISCLAIMS ALL WARRANTIES, EXPRESSED OR IMPLIED, INCLUDING THOSE OF NONINFRINGEMENT, MERCHANTABILITY, TITLE AND FITNESS FOR A PARTICULAR PURPOSE. CUSTOMERS EXPRESSLY ASSUME THEIR OWN RISK IN RELYING ON THIS DOCUMENT. LONTIUM PRODUCTS ARE NOT DESIGNED OR INTENDED FOR USE IN LIFE SUPPORT APPLIANCES, DEVICES OR SYSTEMS WHERE A MALFUNCTION OF A LONTIUM DEVICE COULD RESULT IN A PERSONAL INJURY OR LOSS OF LIFE.

Lontium assumes no responsibility for any errors in this document, and makes no commitment to update the information contained herein. Lontium reserves the right to change or discontinue this document and the products it describes at any time, without notice. Other than as set forth in a separate, signed, written agreement, Lontium grants the user of this document no right, title or interest in the document, the information it contains or the intellectual property it embodies.

Trademarks

Lontium™ and ClearedEdge™ is a registered trademark of Lontium Semiconductor. All Other brand names, product names, trademarks, and registered trademarks contained herein are the property of their respective owners.

Visit our corporate web page at: www.lontiumsemi.com

Technical support: support@lontium.com

Sales: sales@lontium.com