

LT89101EX --- Product Brief

Dual-Port MIPI/LVDS Retimer

Features

● Dual-Port MIPI Transmitter

- Compliant with DCS1.02, D-PHY1.2, DSI1.2 and CSI-2 1.00
- 1 Clock Lane, 1~4 Configurable Data Lanes and 1~2 Configurable Port
- Up to 1.8Gb/s per Data Lane
- Data Lane and Polarity Swapping
- Both Non-Burst and Burst Video Mode Supported
- Programmable Pre-emphasis

● Dual-Port LVDS Transmitter

- Compatible with VESA and JEIDA standard
- 1~2 Configurable Port
- Up to 1.2Gb/s per Data Lane
- Data Port, Data Lane and Polarity Swapping
- Programmable Pre-emphasis
- Support output SSC(30KHz ± 5%)

● Single-Port MIPI Receiver

- Compliant with DCS1.02, D-PHY1.2, DSI1.2 and CSI-2 1.00
- 1 Clock Lane, 1~4 Configurable Data Lanes and 1~2 Configurable Port
- Up to 1.8Gb/s per Data Lane
- Data Lane and Polarity Swapping
- Both Non-Burst and Burst Video Mode Supported
- Programmable Equalization

● Dual-Port LVDS Receiver

- Compatible with VESA and JEIDA standard
- 1~2 Configurable Port

- Up to 1.2Gb/s per Data Lane
- Data Port, Data Lane and Polarity Swapping
- Internal Rterm Calibration with Less than 5% Error
- Programmable Equalization
- Support input DSSC(30KHz ± 5%)

● Miscellaneous

- 1.8V and 3.3V Power Supply
- Support 100KHz and 400KHz I2C Slave
- External 25MHz Crystal Reference Clock
- Temperature Range: -40°C ~ +85°C
- Packaged in QFN64 7.5mm x 7.5mm

Description

The Lontium LT89101EX is a high performance Dual-Port MIPI/LVDS retimer between AP and display panel or camera. The LT89101EX Support maximum 14dB input equalization and programmable pre-emphasis to improve performance.

The LT89101EX is fabricated in advanced CMOS process and implemented in 7.5mm x 7.5mm QFN64 package. This package is RoHS compliant and specified to operate from -40°C to +85°C.

Applications

- Mobile systems
- Cellular handsets
- Digital video cameras
- Digital still cameras
- Tablet PC, Notebook PC
- Car Display and Camera System

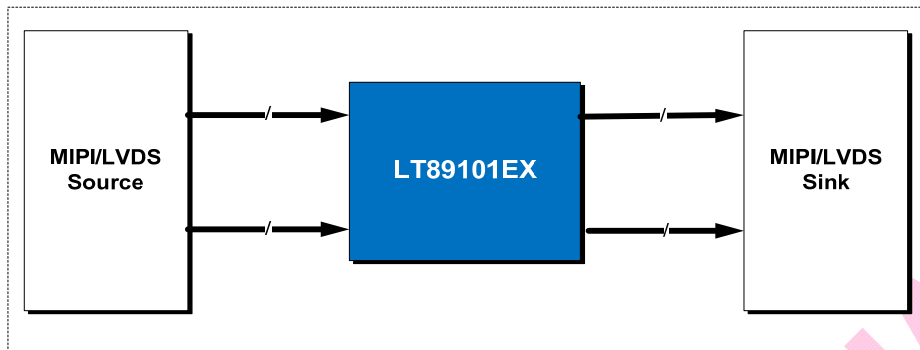


Figure 1. LT89101EX Typical Application Diagram

Ordering Information

Table 1. Ordering Information

Part Number	Operating Temperature Range	Package	Packing Method
LT89101EX	-40°C to +85°C	QFN64 (7.5*7.5)	

Copyright © 2018 Lontium Semiconductor Corporation, All rights reserved.

Lontium Semiconductor Proprietary & Confidential

This document and the information it contains belong to Lontium Semiconductor. Any review, use, dissemination, distribution or copying of this document or its information outside the scope of a signed agreement with Lontium is strictly prohibited.

LONTIUM DISCLAIMS ALL WARRANTIES, EXPRESSED OR IMPLIED, INCLUDING THOSE OF NONINFRINGEMENT, MERCHANTABILITY, TITLE AND FITNESS FOR A PARTICULAR PURPOSE. CUSTOMERS EXPRESSLY ASSUME THEIR OWN RISK IN RELYING ON THIS DOCUMENT.

LONTIUM PRODUCTS ARE NOT DESIGNED OR INTENDED FOR USE IN LIFE SUPPORT APPLIANCES, DEVICES OR SYSTEMS WHERE A MALFUNCTION OF A LONTIUM DEVICE COULD RESULT IN A PERSONAL INJURY OR LOSS OF LIFE.

Lontium assumes no responsibility for any errors in this document, and makes no commitment to update the information contained herein. Lontium reserves the right to change or discontinue this document and the products it describes at any time, without notice. Other than as set forth in a separate, signed, written agreement, Lontium grants the user of this document no right, title or interest in the document, the information it contains or the intellectual property it embodies.

Trademarks

Lontium™ 龙迅™ and ClearEdge™ is a registered trademark of Lontium Semiconductor. All Other brand names, product names, trademarks, and registered trademarks contained herein are the property of their respective owners.

Visit our corporate web page at: www.lontiumsemi.com

Technical support: support@lontium.com

Sales: sales@lontium.com